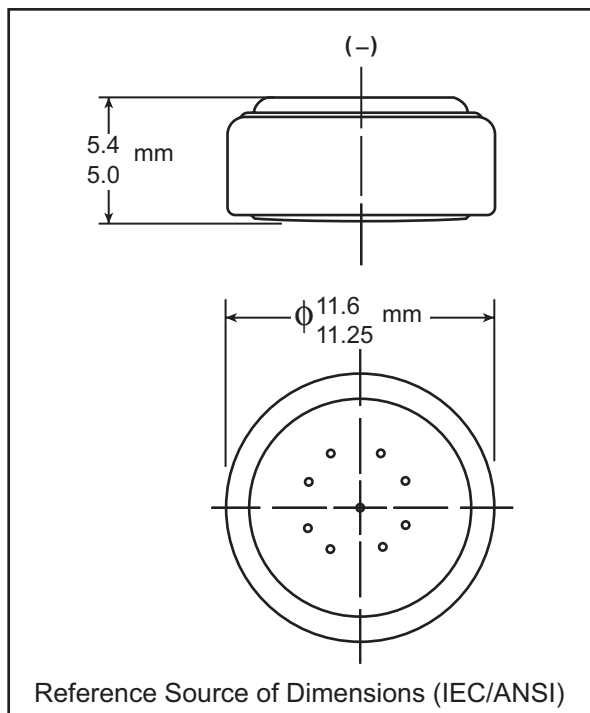


DURACELL® EasyTab®

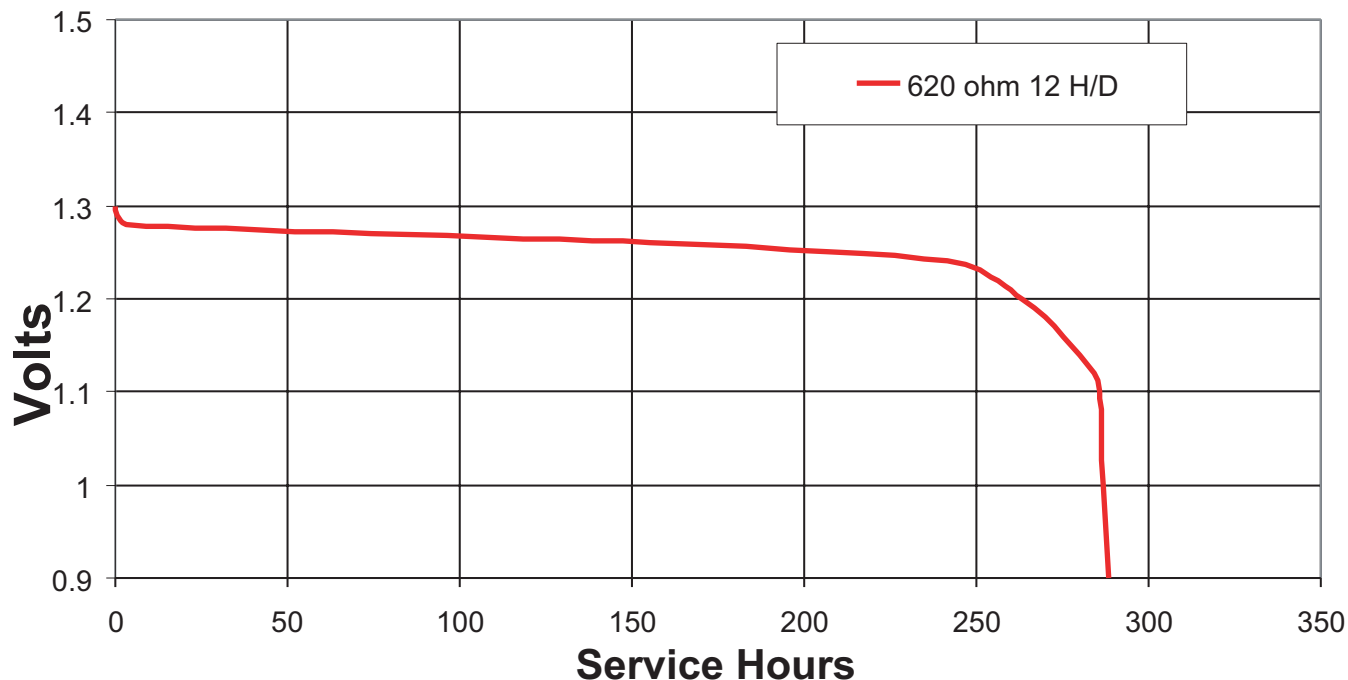
675 Zinc Air Battery

Zn/O₂



| | |
|-------------------------------------|--------------------------------------------|
| Nominal Voltage: | 1.4 V |
| Rated Capacity: | 600 mAh at 620 ohm to 1.1 V at 21°C (70°F) |
| Nominal Internal Impedance: | 3 ohm @ 1kHz |
| Average Weight: | 1.8 gm |
| Volume: | 0.57 cm ³ |
| Terminals: | Flat |
| Operating Temperature Range: | 0°C to 50°C (32°F to 122°F) |
| ANSI: | 7003 ZD |
| IEC: | PR44 |

Typical Discharge Characteristics at 21 °C (70°F)



DURACELL®
BATTERIES

Berkshire Corporate Park
Bethel, CT 06801 U.S.A.

Internet: www.duracell.com
Telephone: Toll-free 1-800-544-5454

* Delivered capacity is dependent on the applied load, operating temperature and cut-off voltage. Please refer to the chart and discharge data shown for examples of the energy / service life that the battery will provide.